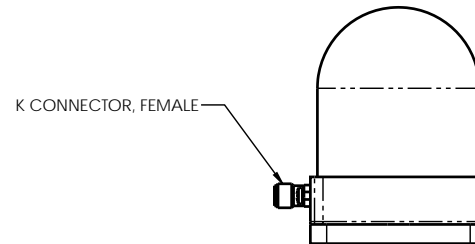
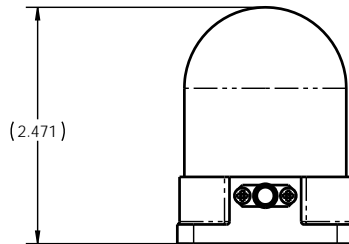
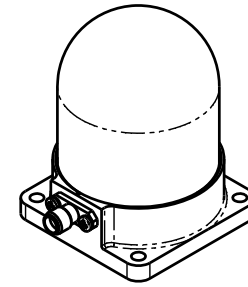
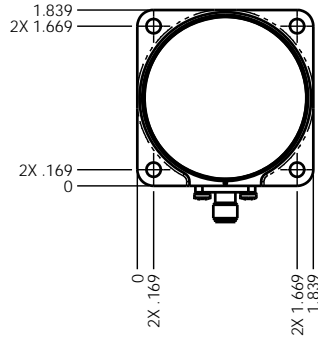


NOTES:

1. PHARAD P/N: 100796
2. TRACEABILITY: TAG WITH PHARAD S/N
3. PART MARKING: BAG AND TAG

REVISIONS				
ZONE	REV.	DESCRIPTION	DATE	APPROVED
N/A	A-01	ENGINEERING PROTOTYPE	5/17/2010	JDM



**PROPRIETARY AND CONFIDENTIAL**  
 THE INFORMATION CONTAINED IN THIS DRAWING IS THE SOLE PROPERTY OF PHARAD, LLC. ANY REPRODUCTION IN PART OR AS A WHOLE WITHOUT THE WRITTEN PERMISSION OF PHARAD, LLC IS PROHIBITED.

UNLESS OTHERWISE SPECIFIED: DIMENSIONS ARE IN INCHES		NAME	DATE	PHARAD, LLC 197 CROMWELL PARK DRIVE, SUITE V GLEN BURNIE, MD 21061
DRAWN	JDM	5/17/2010		
TOLERANCES: TWO PLACE DECIMAL ±.010 THREE PLACE DECIMAL ±.005 ANGULAR ±1°		ENG APPR.		TITLE: <b>ASSEMBLY, ANTENNA, KA BAND, LENSED</b>
MATERIAL		MFG APPR.		
SEE NOTES	COMMENTS:			SIZE DWG. NO.
SEE NOTES				<b>C</b> Ka-12
DO NOT SCALE DRAWING				REV <b>A-01</b>
			SCALE: 1:1	SHEET 1 OF 1